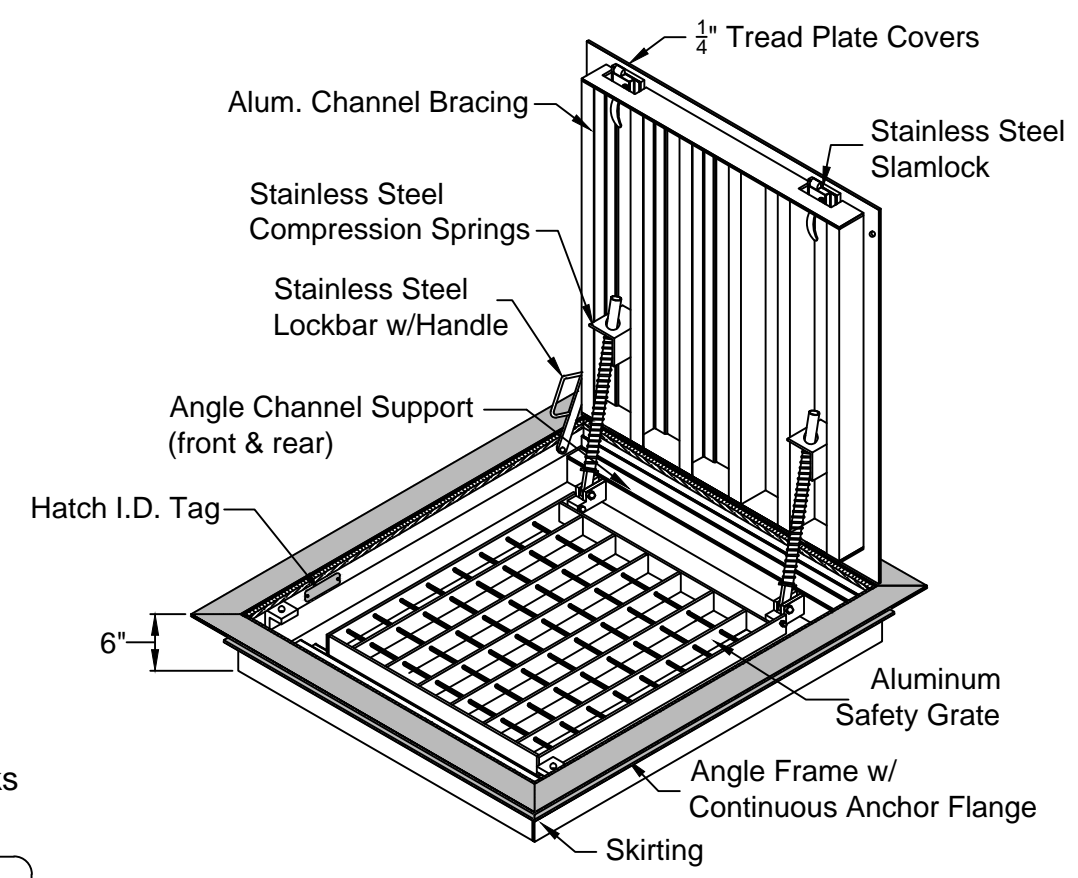
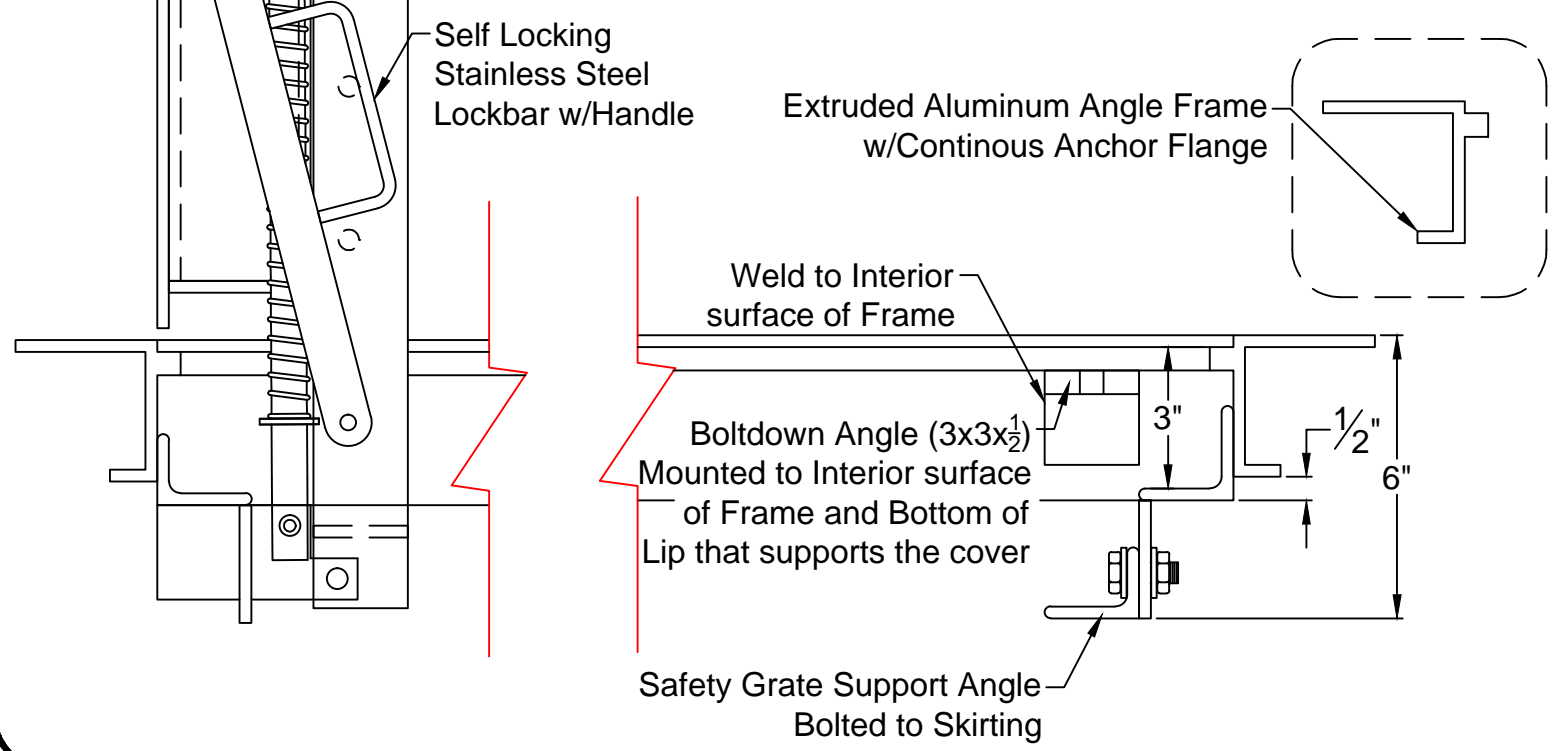
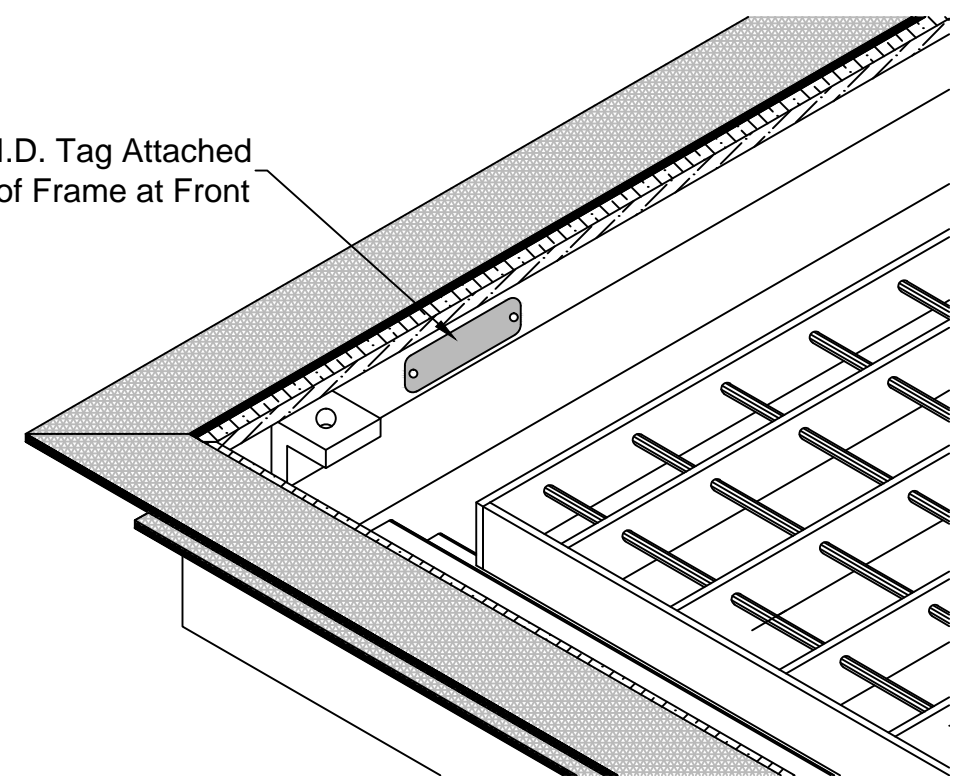


K&B STEEL
K&B Steel
525 Industrial Blvd.
Clarksville, Texas 75426
(903) 427-3980 FAX: (903) 427-5817
SHA3636AL Single Leaf

Detail (A) : Identification Tag detail

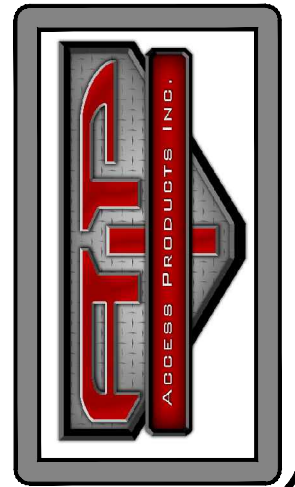


Hatch I.D. Tag Attached to Inside of Frame at Front



- Note:
1. Extruded Angle Frame
 2. H-20 Loading Incidental Traffic Only
 3. Spring Assist
 4. (316) SS Hardware & Hinges

Aluminum Single Leaf H20 Access Hatch
SHA3636AL 36 x 36 I.D. w/wo Safety Grate (6" Frame Height)
K&B Steel (Formerly Access Products, Inc.)
E-Mail: kbsteel@valornet.com
525 Industrial Blvd. Clarksville, Texas 75426
Phone: (903) 427-3980 FAX: (903) 427-5817



(COA)